



TEXAS EQUIPMENT

Low-Rise Pit Lift

6,600 lbs

United States

17779 Main Street Suite C
Irvine, CA 92614 USA
Tel: +1 (949) 333-3800
Fax: +1 (949) 333-3804

United Arab Emirates

P.O. Box 121971
Saif Zone A2-032
Sharjah, UAE
Tel: +971 (06) 552 98 60
Fax: +971 (06) 552 98 61

Egypt

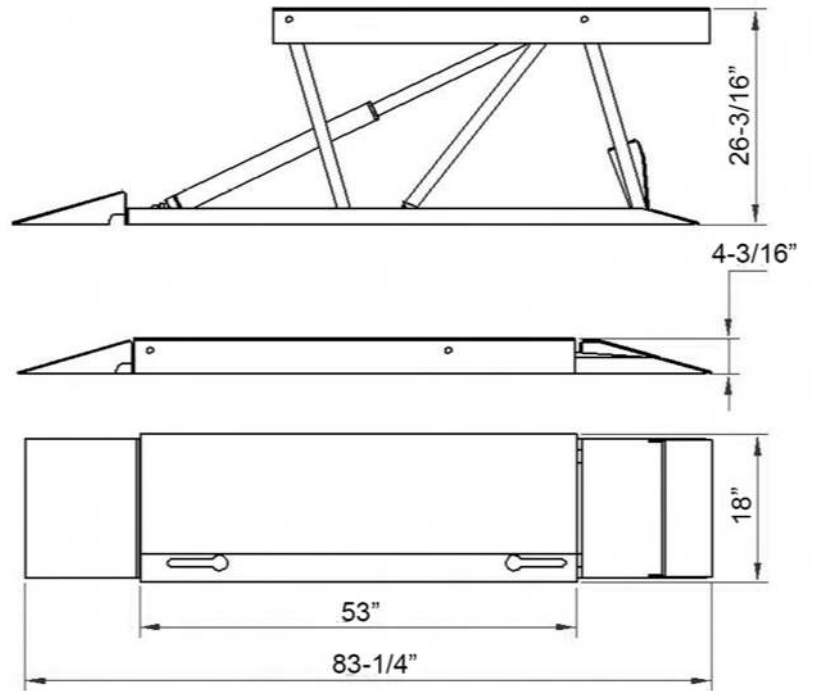
28 Abdel Azim El-Ghoilemi Street
Nasr City, Cairo – Egypt
Tel: +(202) 22747083
Fax: +(202) 22876559



**Model
32606P**

Specifications:

- Lifting Capacity 6,600 lbs (3,000 kg)
- Lifting Height 26¼" (665 mm)
- Lifting Height with Blocks 27⅝" (702 mm)
- Overall Dimensions (per side) 83¼ (L) x 18 (W) x 4¼" (H)
(2114 x 457 x 107 mm)
- Net Weight 671 lbs (305 kg)
- Shipping Weight 695 lbs (317 kg)
- Shipping Size 69¾ x 18⅜ x 8⅜" & 27 x 13 x 13"
(1773 x 465 x 212 mm & 685 x 330 x 330 mm)



Features:

- US Made Electric / Hydraulic Power System
- Surface Mounting
- Completely Open Center Design
- Heavy-duty Pneumatic Locking System with 15 Locking Positions
- Low-profile, Dual-approach Design
- High-density Rubber Lifting Blocks
- Gear-driven for Seamless Operation