



TEXAS EQUIPMENT

Wireless Mobile Column Lift 18,000 lbs

United States

3301 W MacArthur Blvd
Santa Ana, CA 92704 USA
Tel: +1 (949) 333-3800
Fax: +1 (949) 333-3804

United Arab Emirates

Saif Zone T5-008
Sharjah, UAE
Tel: +971 (06) 552 98 60
Fax: +971 (06) 552 98 61

Egypt

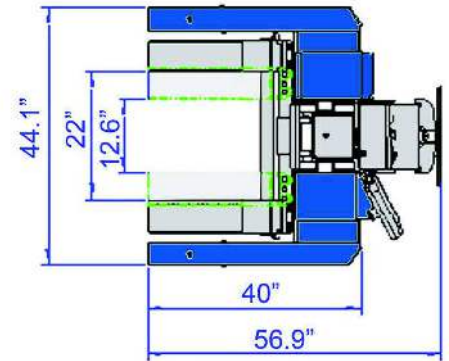
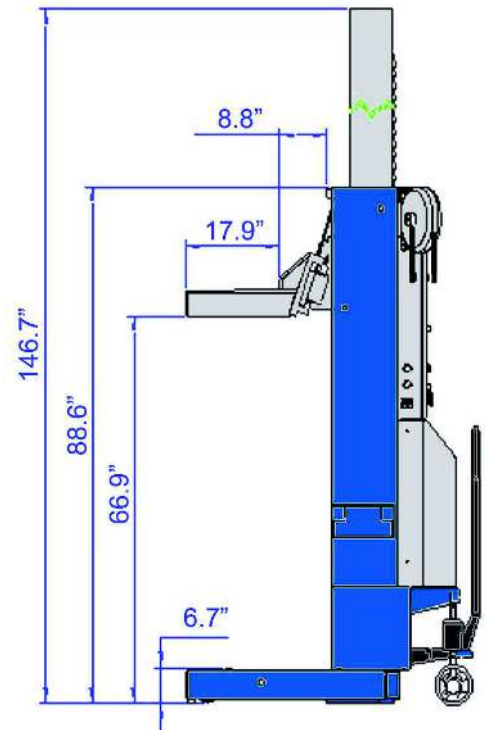
AutoMechanica
15th of May Street
Shoubra Al-Khaimah 13793
Tel: +20 115 808 5046



**Model
06718W**

Specifications:

- Lifting Capacity 18,000 lbs (8,100 kg) per column
- Lifting Height ¼ - 66" (5 - 1700 mm)
- Overall Dimensions 57 (L) x 44½ (W) x 146⅞" (H) (1445 x 1120 x 3731 mm)
- Lifting Forks Width 12½ - 22" (320 - 560 mm)
- Fork Length 17⅞" (454 mm)
- Net Weight 1543 lbs (700 kg)
- Shipping Weight 1587 lbs (720 kg)
- Shipping Size 57 x 44½ x 88½" (1450 x 1130 x 2250 mm)



Features:

- Independent, paired or synchronized operation
- SIEMENS® PLC manages continuous synchronization
- Adjustable lifting forks to accommodate almost any vehicle
- Pallet-jack style base for easy maneuvering
- Each column is equipped with an LCD & keypad which allows full operation from any location
- Independent mechanical locking system with emergency switch for increased safety
- Can be used wirelessly or with synchronization cables
- Battery powered for increased mobility and flexibility (*Batteries not included. Please see Battery Requirements for specifications.*)
- Several optional accessories available to provide tailored lifting solutions for all applications.

